

GAS STOVES | DIRECT VENT



QUADRA-FIRE

PURE PERFORMANCE



DURABILITY AND PERFORMANCE COMBINED

Quadra-Fire gas stoves give maximum performance, durability and control. Use a wall thermostat to set your comfort level, or choose an optional remote control to set the temperature or light the fire from your armchair. Logs molded from actual pieces of wood and glowing ember beds create unmatched realism and uncompromised beauty. High-efficiency direct-vent technology keeps your family safe, warm, and cozy, while keeping your heat bill under control. Heat the room you're in, or the whole house—it's your choice.

Cover: Sapphire shown in optional sienna bronze finish with operable cabinet-style doors.

Above: Topaz shown in porcelain mahogany finish with operable Quartet front and optional warming shelves.

GAS STOVES

QUADRA-FIRE DIRECT VENT GAS STOVES

- Save energy by heating just the space you're in
- Colors and designs enhance any room
- Provide heat during a power outage
- Vent to outside wall or through ceiling
- Heat a new addition to your home



TOPAZ

Our largest cast iron gas burning stove, the Topaz represents a stylish alternative in warming your home. The Topaz is more than just a heating device — it's a piece of art. You have a choice of color and two different fronts. Optional warming shelves with beautiful accent brackets can add to the individuality of your stove. The Topaz is a wonderful way to heat your home and add an artistic touch to any room. Topaz shown with Quartet front and optional warming shelves in mahogany.



SAPPHIRE®

Brighten your home with the glow of a Sapphire. Traditional cast iron construction is teamed with advanced flame technology to create a beautiful and functional gas heater. Our exclusive TrueGlow burner and a log set cast from real pieces of wood create a highly realistic flame. High efficiency and great heat output keep your heating costs low, too. Sapphire shown in sienna bronze finish with operable cabinet-style doors.



GAS STOVES

GARNET-T

Don't let its size fool you—the Garnet-T is a champion. It's a little heater with a big heart. A diminutive footprint and impressive design combine to make this smallest member of the Quadra-Fire family perfect for the bedroom, den or dining room. The Garnet-T is designed to be both attractive and economical. Utilized best for zone heating, the Garnet-T heats the space you're in, not the entire house. Garnet-T shown in optional sienna bronze finish with operable doors.



HUDSON BAY

The Hudson Bay is a great way to add romance and charm to any room. A large bay window reveals a strikingly realistic fire created by the exclusive TrueGlow burner and logs. Optional door crowns and grilles in gold or satin nickel finishes add a touch of class to match your décor. High efficiency, low maintenance, and excellent dependability are all yours with the Hudson Bay. Hudson Bay shown with optional gold door crown and louvre grille.



COLUMBIA BAY

An ordinary room becomes an inviting living space with the Columbia Bay from Quadra-Fire. Bay window styling, with your choice of black, gold or satin-nickel trim, adds just the right touch of class. Curl up in front of the fire and let the warmth and glow melt away the hassles of the day. High efficiency and great performance keep your heating bills down. And for even more convenience, add a thermostatic remote control. Columbia Bay shown with optional satin nickel door crown and rod grille.



FEATURES & OPTIONS

TOPAZ



Above: Topaz shown with Quartet front and optional warming shelves in mahogany
Top Right: Gold door trim for Solitaire front
Bottom Right: Topaz shown in matte black with Solitaire front

Features

- Strength & beauty of cast iron
- Matte black finish
- Top vent (optional rear vent)
- Natural convection heater
- Heats without power
- Bedroom/mobile home approved
- No additional floor protection required*

Options

- Porcelain mahogany finish
- Sienna bronze & willow baked enamel finish
- Solitaire or Quartet fronts (Solitaire in matte black only)
- Decorative firescreen (Quartet only)
- Gold trim (Solitaire only)
- Warming shelves
- Variable speed blower
- Rear vent conversion kit
- Wall thermostat
- Thermostatic remote control



SAPPHIRE



Above: Sapphire shown in sienna bronze finish with operable cabinet-style doors. **Right:** Sapphire shown in black with Solitaire front

Features

- Strength & beauty of cast iron
- Matte black finish
- Top vent (optional rear)
- Beautiful PyroGlo logs
- Natural convection heater
- Heats without power
- Bedroom/mobile home approved
- No additional floor protection required*

Options

- Porcelain mahogany finish
- Sienna bronze & willow baked enamel finish
- Solitaire or operable cabinet-style doors (Solitaire in matte black only)
- Variable speed blower
- Rear vent conversion kit
- Thermostatic remote control
- Wall thermostat



GARNET-T



Above: Garnet-T shown in optional sienna bronze finish with operable doors

Features

- Operable cabinet-style doors (Non-operable door also available, matte black only)
- Strength & beauty of cast iron
- Matte black finish
- Ceramic burner & PyroGlo logs
- Natural convection heater
- Heats without power
- Bedroom/mobile home approved
- No additional floor protection required*

Options

- Porcelain mahogany finish
- Sienna bronze & willow baked enamel finish
- Firescreen
- Circulation blower
- Thermostat & remote control
- DV Slim Line wall thimble

* Flooring beneath appliance may reach 90°F plus room ambient temperature. Check with flooring manufacturer for maximum temperature allowed on flooring surface.

FEATURES & OPTIONS

HUDSON BAY



Above: Hudson Bay shown with optional gold door crown and louvre grille

Right: Hudson Bay shown with optional satin nickel door crown and louvre grille

Features

- Classic black door & louvre grille
- Pedestal base
- Expansive bay window styling
- Variable speed blower
- Top-mounted controls
- Herringbone ceramic refractory interior
- Durable steel construction
- Bedroom/mobile home approved
- No additional floor protection required*

Options

- Door crown in gold or satin nickel
- Louvre grille in gold or satin nickel
- Ceramic brick refractory
- Thermostatic remote control
- Wall thermostat



COLUMBIA BAY



Above: Columbia Bay shown with optional gold door crown and rod grille

Right: Columbia Bay shown in standard black door crown and rod grille

Features

- Classic black door & rod grille
- Pedestal base
- Bay window styling
- Variable speed blower
- Top-mounted controls
- Designer brick pattern firebox
- Durable steel construction
- Bedroom/mobile home approved
- No additional floor protection required*

Options

- Door crown in gold or satin nickel
- Rod grille in gold or satin nickel
- Ceramic brick refractory
- Thermostatic remote control
- Wall thermostat



FINISH OPTIONS

Four stunning color options are available in a baked enamel or porcelain finish that is gorgeous, high quality, and made to last. Not all colors available for all units.



Black



Mahogany



Sienna Bronze



Willow


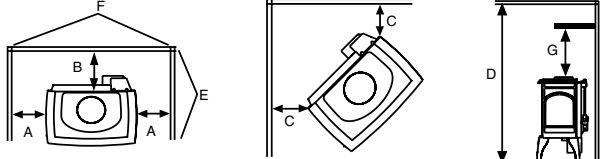

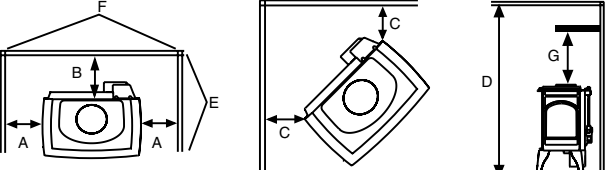

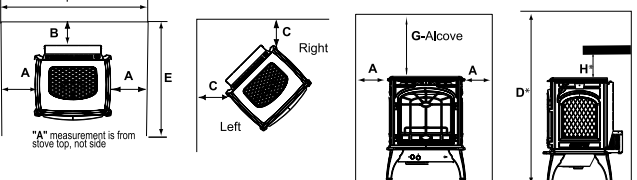

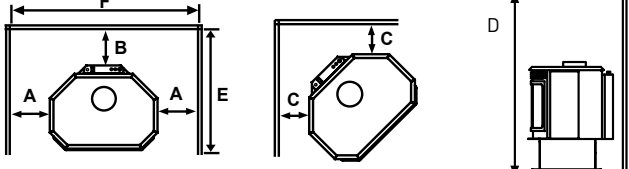

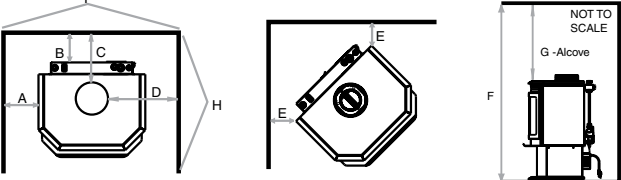
* Flooring beneath appliance may reach 90°F plus room ambient temperature. Check with flooring manufacturer for maximum temperature allowed on flooring surface.



GAS STOVE SPECIFICATIONS

	Technical Data				Performance			
	Height	Width	Depth	Weight	BTU/Hr Input - NG	BTU/Hr Input - LP	Convection Blower	Flue Size
Topaz	29-1/2"	27-3/4"	22-1/2"	275 lbs (w/Quartet front)	26,500 - 39,500 Top	30,500 - 38,000 Top	160 cfm	6-5/8"
Sapphire	27-5/8"	21-7/8"	18"	190 lbs (w/Solitaire front)	21,000 - 30,000 Top 18,000 - 26,000 Rear	19,700 - 28,500 Top 19,000 - 26,000 Rear	160 cfm	6-5/8"
Garnet-T	23-5/8"	17-7/8"	15-3/8"	160 lbs	12,000 - 17,000	13,000 - 17,000	160 cfm	6-5/8"
Hudson Bay	30"	28-1/2"	22-3/8"	247 lbs	28,000 - 42,000	31,000 - 40,500	160 cfm	6-5/8"
Columbia Bay	28-1/2"	22-1/2"	17-7/16"	165 lbs	21,000 - 30,000	24,500 - 30,000	160 cfm	6-5/8"

CLEARANCES

		<ul style="list-style-type: none"> A Side of stove top to side wall 6-1/2" B Rear of stove top to back wall 6" C Corner of stove top to side wall 1" D Minimum alcove height 54" E Maximum alcove depth 36" F Minimum alcove width 40" G Mantle clearance from stove top 23"
		<ul style="list-style-type: none"> A Side of stove top to side wall 6" B Rear of stove top to back wall 6" C Corner of stove top to side wall 3" D Minimum alcove height 54" E Maximum alcove depth 36" F Minimum alcove width 34" G Mantle clearance from stove top 23"
	 <p>*"A" measurement is from stove top, not side</p>	<ul style="list-style-type: none"> A Side of stove top to side wall 6" B Rear of stove to back wall 2" C Corner of stove top to side wall (left) 2" D Minimum alcove height 43" E Maximum alcove depth 36" F Minimum alcove width 30" G Top of stove to alcove ceiling 19-3/8" H Mantel clearance 19-1/2"
		<ul style="list-style-type: none"> A Side of stove top to side wall 9-5/8" B Rear of control box to back wall 1" C Corner of stove top to side wall 4" D Minimum floor to ceiling height 54" E Maximum alcove depth 36" F Minimum alcove width 46-1/2"
	 <p>NOT TO SCALE</p>	<ul style="list-style-type: none"> A Side of stove top to side wall 6" A In an alcove 6-3/4" B Rear of control box to back wall 2" C Flue pipe to back wall 6" D Flue pipe to side wall 14" E Rear corner of stove top to side wall 2" F Min. floor to ceiling height (std. room) 84" G Top of stove to alcove ceiling 19" H Maximum alcove depth 36" I Minimum alcove width 36"

GAS EFFICIENCIES

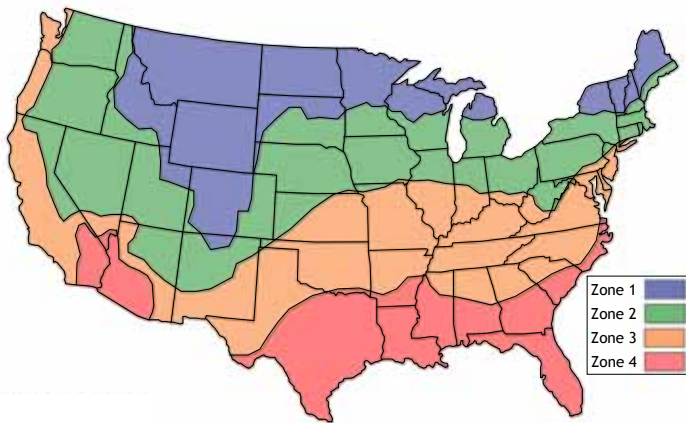
Steady State - Since most homeowners use their appliance for an extended time while they are in the room, Steady State measures how efficiently your appliance converts fuel to heat once it is warmed up and running in a "steady state".

AFUE - AFUE rating is more typically used with appliances, like your furnace, that continually cycle on and off to maintain a constant temperature.

EnerGuide (CSA P.4.1-02) - EnerGuide is a rating used in Canada to measure annual efficiency.

STOVE	U. S. EFFICIENCIES				CANADA ENERGUIDE	
	Steady State		AFUE		CSA P.4.1-02	
	NG	LP	NG	LP	NG	LP
Topaz	85.90%	87.87%	74.75%	76.40%	63.0%	64.0%
Sapphire	80.92%	82.44%	68.5% (Top), 71.4% (Rear)	71.5% (Top), 75.4% (Rear)	65.04%	66.49%
Garnet-T	77.22%	79.24%	76.22%	77.46%	67.4%	69.5%
Hudson Bay	84.02%	85.71%	67.32%	68.97%	64.0%	65.4%
Columbia Bay	81.48%	75.28%	65.35%	66.82%	65.4%	65.9%

CLIMATE ZONE MAP



Heating Capacity by Climate Zone*

STOVE		ZONE 1	ZONE 2	ZONE 3	ZONE 4
Topaz	NG	1050	1225	1550	1925
Sapphire	NG	700	800	1050	1350
Garnet-T	NG	175	225	400	550
Hudson Bay	NG	1125	1325	1650	2050
Columbia Bay	NG	725	850	1100	1400

* Zone measurements in square feet. Heating capacity (in square feet) is a guideline only and may differ slightly due to climate, building construction and condition, amount and quality of insulation, location of the heater, and air movement in the room. BTUs will vary depending on the type of fuel used.

QUADRA-FIRE®

NOTHING BURNS LIKE A QUAD

A brand of Hearth & Home Technologies®

1445 North Highway, Colville, WA 99114
www.quadrafire.com | 800-926-4356

Available From:

Limited Lifetime Warranty**

The strongest in the industry, Quadra-Fire provides a limited lifetime warranty on the most important aspects: firebox and heat exchanger.

** For full warranty details go to www.quadrafire.com

IMPORTANT - READ BEFORE YOU INSTALL!

Refer to the Owner/Installation Manual for complete clearance requirements and specifications. The images and descriptions in this brochure are provided to assist you in product selection only.

Quadra-Fire is a registered trademark of Hearth & Home Technologies. Product specifications and pricing subject to change without notice.

Quadra-Fire direct vent gas appliances are listed to ANSI standard for "Vented Gas Appliance Heaters" and applicable sections of "Gas Burning Heating Appliances for Manufactured Homes and Recreational Vehicles" and "Gas Fired Appliances for Use at High Altitudes" by OMNI-Test Laboratories, Inc., Beaverton, OR. See owner's manual for more details.

